



±45° Programmable Single-Axis Tilt Switch

Part Number: **0729-1758-99**

Operating Specifications

Output	2 open collectors
Supply Voltage	4.5 V DC to 28 V DC
Supply Current	3 mA @ 4.5 V to 28 V DC
Operating Range	±45°
Axes of Measurement	1
Repeatability	≤0.1°
Null Offset	≤5°
Cross Axis (Roll) Sensitivity	≤0.025° per degree
Long Term Stability/Drift	≤0.1°
Null Temperature Coefficient	≤0.006° per °C
Scale Temperature Coefficient	0.1% per °C
Materials	Contains magnetic metals
Operating Temperature	-40 °C to 70 °C
Storage Temperature	-40 °C to 70 °C
Temperature Sensor Range	-40 °C to 125 °C
Time Constant (63.2% of final output)	≤100 ms
Output Delay	0.5 s
Output Hysteresis	0.35°

Physical Characteristics

Housing	ABS Plastic
Electrical Connections	18" cable with 24-gauge wire
Weight	40 grams
Length	50.8 mm (2.000")
Width	38.1 mm (1.500")
Height	19.1 mm (0.750")
Flange Length	76.2 mm (3.000")
Hole Center	63.5 mm (2.500")
Hole Diameter	4.8 mm (0.190")

Ordering Information

Part Number	Description
0729-1758-99	Tilt Switch, ±45°, 1 Axis, Open Collector

Related Products

Part Number	Description
0717-4319-99	Tilt Sensor, ±50°, 2 Axis
0729-1736-99	Tilt Switch, ±35°, 2 Axis, Relay/RS-232
0729-1757-99	Tilt Switch, ±45°, 1 Axis, Open Collector
0729-1763-XX	Tilt Switch, ±45°, 2 Axis, Relay/RS-232
0729-1751-99	Inclinometer, ±60°, 2 Axis, SPI
0729-1752-99	Inclinometer, ±60°, 2 Axis, RS-232
0729-1753-99	Inclinometer, ±60°, 2 Axis, Analog/PWM
0729-1754-99	Inclinometer, ±60°, 2 Axis, RS-485
0729-1755-99	Inclinometer, ±60°, 2 Axis, Analog/PWM
0729-1759-99	Inclinometer, ±60°, 2 Axis, RS-232
0729-1760-99	Inclinometer, ±60°, 2 Axis, RS-485
0729-1765-99	Inclinometer, ±25°, 2 Axis, Analog/RS-232

Click to Buy Online from Fredericks Now!

Description

The **0729-1758-99** Single-Axis Programmable Tilt Switch utilizes a **0717-4319-99** Fredericks wide-range electrolytic tilt sensor and analog signal conditioner. Its robust plastic housing provides excellent durability and environmental protection. This tilt switch has superior tolerances and unit to unit performance. Its low-profile housing and economic design make it an ideal solution for a versatile range of applications in all sectors.

Key Features and Benefits

- ≤0.1° repeatability, very high accuracy
- ≤0.1° long term drift with an extremely long life
- -40 °C to 70 °C operating temperature for industrial applications
- Live text and video chat technical support

Applications

- [Agricultural vehicles and machinery](#)
- [Geotechnical and structural monitoring](#)
- [Construction machinery and equipment](#)
- Aerial lift and work platforms, boom lift, crane, forklift, scissor lift, and telehandler/telescopic handler operator safety and tip over prevention

View the full list at www.frederickscompany.com/markets.

Open Collector Output Description

The open collector is open (disconnected from ground) when non-tripped and closed (connected to ground) when tripped. It is rated to a maximum of 200 mA when closed. For opposite open collector output functionality (closed when non-tripped and open when tripped), see the **0729-1757-99**.

Electrical Connections

Red	Supply (4.5 V DC to 28 V DC)
Black	Supply (-)
Green	Ground for supply and open collectors
Blue	Left trip point open collector
Gray	Right trip point open collector

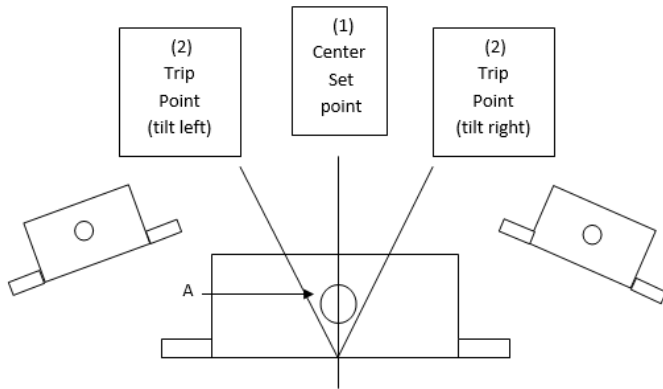
Mounting Notes

The **0729-1758-99** and all tilt switches in this series must be mounted horizontally (parallel to the surface of the earth and perpendicular to the force of gravity). For best performance, isolate the unit from vibrations when mounting it.

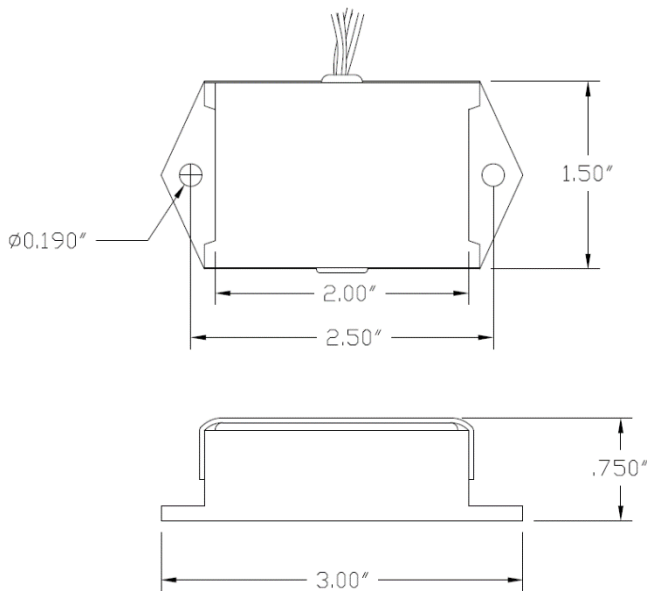


±45° Programmable Single-Axis Tilt Switch
Part Number: 0729-1758-99

Direction of Measurement



Dimensional Drawings



Certifications and Ratings

- RoHS Compliant
- IP64 (note that the standard version of this unit is not potted, epoxy potting is available upon request for IP66 protection)

Additional Documentation

Manual	0729-1758-99 Instruction Manual
AN1001	Temperature Compensation of Electrolytic Tilt Sensors
AN1003	Configuring Tera Term for Use with TFC Tilt Products

Company Information

Specialty Manufacturing Services That Promise Precision - Since 1935, The Fredericks Company has been a global provider and U.S. designer and manufacturer of the highest performance tilt and vacuum measurement products on the market, with manufacturing processes that ensure the reliability of our products.

Tilt Measurement Products and Sensors That Set Standards - Fredericks' comprehensive tilt measurement product portfolio offers [electrolytic tilt sensors](#), [inclinometers](#), and [tilt switches](#). Engineered to outperform competing technology, our tilt sensors are accurate and repeatable with excellent resolution. Our tilt measurement products have no planned obsolescence and serve industries ranging from [construction](#) and [RV leveling](#) to aerospace applications and everything in between.

A Partnership That Prioritizes Uptime, Lead Time, and Service - Fredericks guarantees customer satisfaction and our "not too big, not too small" operation is what enables us to offer a true partnership experience. Our dedicated representatives and engineers offer exceptionally responsive service and the fastest lead times in the industry, knowing that uptime is the key to your success. With anytime access to our leadership team and solutions that enhance your products, you will feel the Fredericks difference.

Contact Us

The Fredericks Company
 2400 Philmont Avenue
 Huntingdon Valley, PA 19006
 tel: +1 215 947 2500
 fax: +1 215 947 7464
 email: sales@frederickscompany.com
 web: www.frederickscompany.com

Disclaimer: Specifications subject to change without notice. The Fredericks Company assumes no responsibility for inaccuracies in product specifications or any liability arising from product use.
 © 2022 The Fredericks Company