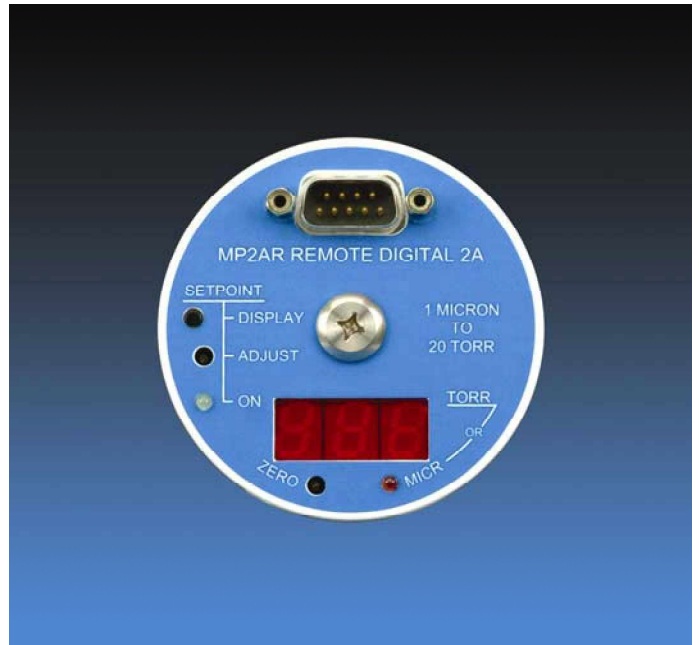


## MP2AR Remote Thermocouple Gauge

Range: 1 – 20,000 Microns

- **PERFORMANCE** – Provides repeatable vacuum measurement
- **DESIGN** – Rugged self-contained system will provide reliable and long lasting operation in the most demanding of industrial applications
- **EFFICIENCY** – Easy to replace sensors with zero adjustment
- **Economy** – Cost effective unit for fundamental applications



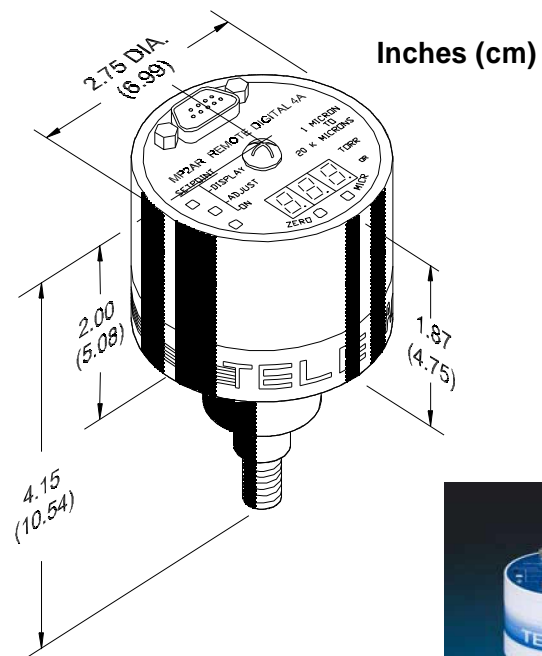
### Description

The MP2AR series Remote Thermocouple Gauges are compact, durable, cost advantageous and repeatable vacuum measuring systems. The rugged 2A Thermocouple sensor design withstands harsh operating environments and the MP2AR's compact design will fit in almost any space area and can be mounted in any position. The self-contained electronics allows you to measure vacuum without using traditional large panel-mount instrumentation systems, clearly a more economical solution. The linear 0-10V output signal can be used for remote displaying and controlling of your vacuum measurement system. The easily adjustable setpoint feature uses a Form C relay contact allowing you to control other functions of your process.

### Applications:

Cryogenics	Heat Treatment	Coating Process
Pharmaceutical Products	Electron Beam Welders	
Petrochemical	Textile	

### Dimensions



# MP2AR Remote Thermocouple Gauge

## Ordering Information

MP2AR Analog output with LED Display  
 Display range:  $1 \times 10^{-3}$  to 20 Torr  
 1 relay contact,

Part Number  
 2 - 7910 - X YY

### X 0-10 V Output

1	Linear :	0 to 1000 microns
		10 volts = 1,000 microns
		0 volts = 0 microns
	Includes Non-Linear Full Scale	
		0.88 volts = 20,000 microns
		10 volts = 0 microns

### YY Vacuum Fittings

10	1/8" NPT Nickel Plate Brass Following are Stainless Steel Connections
01	1/8" NPT
11	1/2" Port Diameter
30	NW16 KF Flange
NW25 KF Flange <sub>31</sub>	
32	NW40 KF Flange
40	8 VCO male type
41	8 VCO female type
42	8 VCR male type
43	8 VCR female type
50	1.33" Conflat Flange
2.75" Conflat Flange <sub>52</sub>	

### Sensor Only Replacements

	Part Number
2A Sensor w/ 1/8" NPT, Ni Brass	2-2100-10
2A Sensor w/ 1/8" NPT, Stainless	2-2126-001
2A Sensor w/ NW 16, Stainless	2-2126-030

*others available upon request, contact factory*

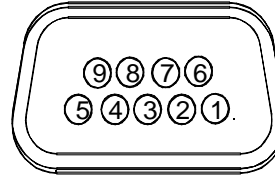
### Cables

10 ft. 9 pin to Strip & Tin Leads	2-9852-010
20 ft. 9 pin to Strip & Tin Leads	2-9852-020
35 ft. 9 pin to Strip & Tin Leads	2-9852-035
50 ft. 9 pin to Strip & Tin Leads	2-9852-050

## Specifications

Range	1 to 20,000 microns	
Accuracy	+/- 1 micron	0-10 microns
	+/- 10% of reading	10 to 100 microns
	+/- 20% of reading	100 to 1000 microns
Mounting Orientation	None	
Input Voltage/Power	Required 24V DC @ 100 mA	
Setpoint Relay	Form C Contact 24V .5 A rating	
Operating Temperature	+ 15 to +50 C	
Calibration Medium	Dry Air or Nitrogen	
Sensor Material	Stainless Steel or Nickel Plated Brass	
Overpressure Tolerance	150 PSI	

## Electrical Connections



1. Relay Normally open
2. Relay normally closed
3. +24 Volt power
4. Power common
5. Linear signal output
6. Relay common contact
7. Non-linear signal output
8. Signal return
9. Set point output

## Output Graph

### 2A (linear)

